



## IMPORTANT SAFETY INSTRUCTIONS



is near water.

th.

heat sources such as radiators, heat registers, stoves, or other apparatus (including amplifiers) that produce heat.

cessories specified by the manufacturer.

lified service personnel.

local codes.

ssional engineer when any doubt or questions arise regarding a physical equipment installation.

ed Warranty, visit the QSC Audio Products website at [www.qsc.com](http://www.qsc.com)

ía Limitada de QSC, visite el sitio web de QSC Audio Products, en [www.qsc.com](http://www.qsc.com)

a garantie limitée de QSC, visitez le site de QSC Audio Products à [www.qsc.com](http://www.qsc.com)

von QSC Audio Products ([www.qsc.com](http://www.qsc.com)) um eine Kopie der beschränkten Garantie von QSC zu erhalten.

修的複印本，請造訪QSC音頻產品的網站[www.qsc.com](http://www.qsc.com)

ной гарантии QSC посетите веб-сайт QSC Audio Products, расположенный по адресу [www.qsc.com](http://www.qsc.com).

تدود الخاص بـQSC، قم بزيارة الموقع الإلكتروني لشركة QSC للمنتجات الصوتية على [www.qsc.com](http://www.qsc.com)

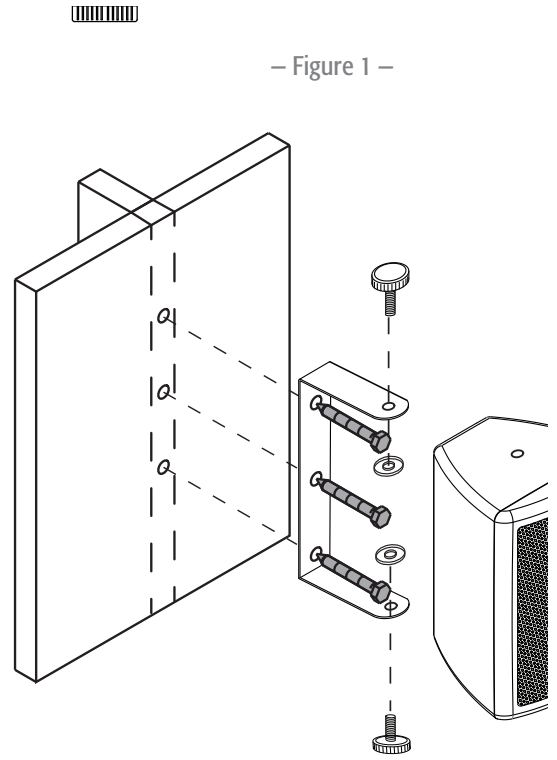
|       |       |
|-------|-------|
| 15 W  | 7.5 W |
| 7.5 W | 3.7 W |
| 3.6 W | 1.9 W |

– Table 1 –

## Bracket and Mount the Loudspeaker

to structure capable of supporting the weight of the loudspeaker.  
between the loudspeaker and yoke mounting holes and join using

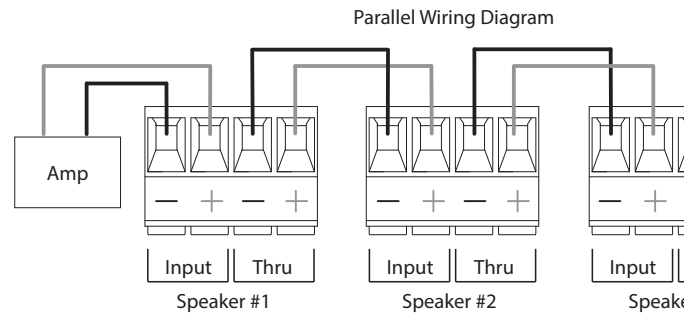
Install the system in accordance with local building regulations. Use a licensed contractor or professional. Audio Products is not responsible for damages resulting from incorrect installation of any bracket or loudspeaker.



– Figure 2 –

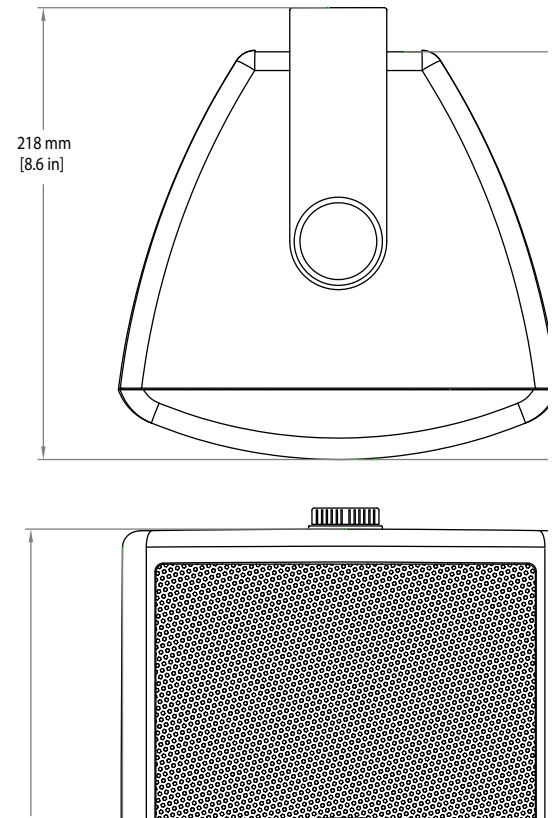
## Speaker

Wiring: Wire to the Euroblock connector as indicated.  
For multiple speakers, use the thru output from the previous loudspeaker as the supply.  
Connect the speaker to the loudspeaker.



– Figure 3 –

|  |
|--|
| <b>AC-S6T</b>                            |
| 60 Hz – 20 kHz                           |
| 30 watts / 15.5 volts (rms)              |
| 86 dB SPL                                |
| 130° conical (500 Hz - 5 kHz)            |
| 6  |
| 8 dB                                     |
| 101 dB                                   |
| 107 dB                                   |
| 8 ohms                                   |
| 60 watts                                 |
| 70 V: 30, 15, 7.5, 3.7, 1.9 watts        |
| 100V: 30, 15, 7.5, 3.8 watts             |
| 8 ohm bypass                             |
| 165 mm [6.5 in] Polypropylene woofer     |
| 25 mm [1 in] voice-coil                  |
| 25 mm [1 in] Aluminium dome tweeter      |
| 25 mm [1 in] voice-coil                  |
| Euroblock connector with parallel output |
| UV treated high impact ABS polymer       |
| Powder coated steel                      |
| Powder coated steel, brass inserts       |



Customer Service: (714) 957-7150 or toll free (USA only) (800) 772-2834

Facsimile Numbers:

Sales & Marketing FAX: (714) 754-6174

Customer Service FAX: (714) 754-6173

World Wide Web:

[www.qsc.com](http://www.qsc.com)

E-mail:

[info@qsc.com](mailto:info@qsc.com)

[service@qsc.com](mailto:service@qsc.com)

[tech\\_support@qsc.com](mailto:tech_support@qsc.com)