

8-Port Ethernet DMX Node

XND-8

8-port network to DMX converter with support for sACN and Art-Net 1 through 4.

- Art-Net and sACN to DMX converter for 8 independent universes
- Supports Art-Net 1 through 4 (DMX and RDM)
- sACN release and draft version
- 8 individually optically isolated DMX outputs
- Graphic display and encoder knob for easy configuration and precise status information
- Quick access button for each DMX output port for quick selection of Art-Net or sACN universe
- Neutrik powerCON input and output
- Universal power supply



XND-8 is a user-friendly Art-Net and sACN to DMX converter supporting the distribution of eight universes of DMX via eight individually optically isolated DMX outputs. Since most major lighting consoles are capable of transmitting Art-Net data, XND-8 is all you need to take advantage of your console's networking capability, allowing you to transmit a vast number of universes over one single network cable. In some cases, users may profit from already existing networking infrastructure.

Furthermore, the XND-8 is also perfectly suited to send DMX data to your fixtures from a computer or even from a mobile device. Many light controller programs for PC or Mac support Art-Net output natively and with the help of XND-8's DHCP capability, you can even let your workplace network infrastructure do the network configuration of your XND-8 automatically for you.

With its 128x64 pixels OLED display however, configuring the network and setting up your Art-Net or sACN preferences manually is no trouble at all and helpful status information is always at hand.

If two controllers send data to the same universe, XND-8 automatically merges the DMX data, which makes the integration of a second lighting controller straightforward and may prove helpful for fixture testing during the setup of an installation.

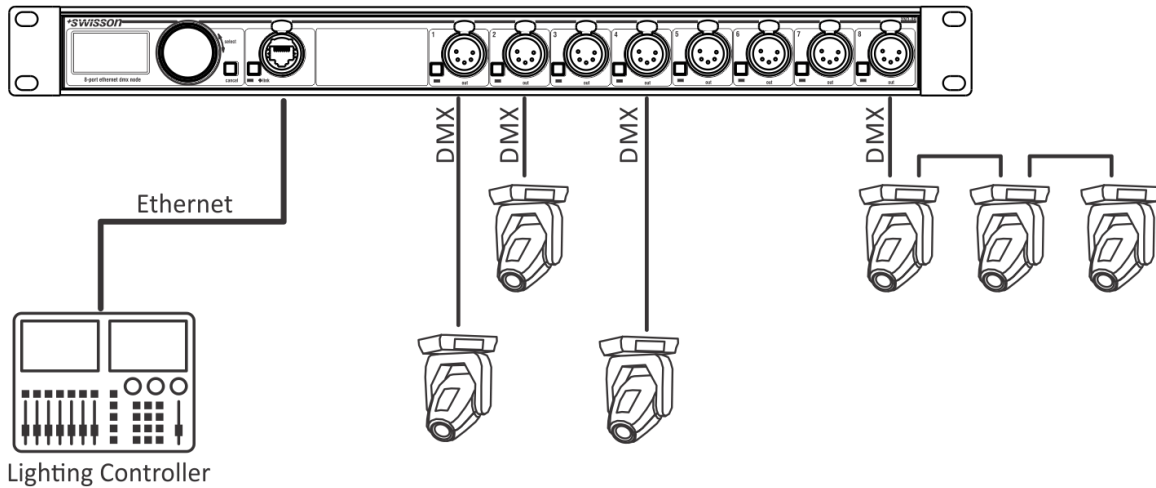
Fields of Application

- Architectural lighting
- Convention centers
- Churches
- Schools
- Theme parks
- Theaters, operas
- Multimedia shows

Applications

- Control light shows from an Art-Net capable lighting desk
- Control lighting fixtures using an Art-Net enabled PC software or a mobile device
- Merge the light controlling data sent from two Art-Net controllers

Typical Application

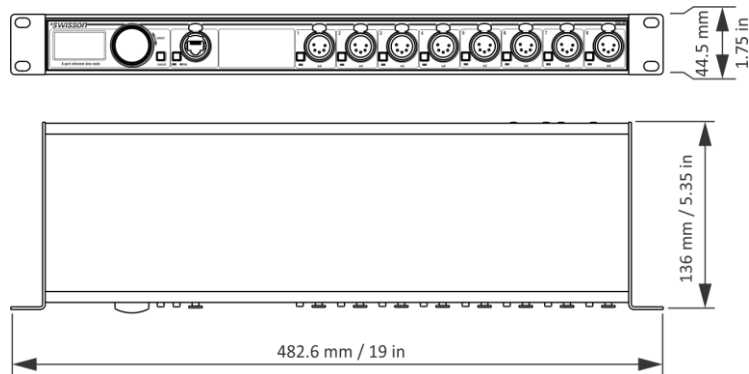


Models

XND-8R3	10 48 30
8-port Ethernet DMX node, rack mountable, 3-pin XLRs	
XND-8R5	10 48 31
8-port Ethernet DMX node, rack mountable, 5-pin XLRs	
XND-8R8	10 48 32
8-port Ethernet DMX node, rack mountable, RJ45 etherCON	

Specification

Weight	ca. 1800 g / 4 lb.
Ambient temperature	-30 – 55°C / -22 – 131°F
Typical power consumption	10 W
AC power input.....	100-240 V AC
Ethernet	10BASE-T / 100BASE-TX, auto negotiating, auto MDI-X
Network protocols.....	sACN, sACN draft version (v0.2), Art-Net 1 through 4
DMX.....	ANSI E1.11
RDM.....	ANSI E1.20
Signal ports.....	EIA-485



SWISSON AG
Fabrikstrasse 21
CH-3250 Lyss
Switzerland

Phone +41 32 386 20 50
Fax +41 32 386 20 51
www.swisson.com
sales@swisson.com

SWISSON of AMERICA Corp.
2419 East Harbour Blvd. #34
Ventura, CA 93001
U.S.A.

Phone +1 805 443 7834
Fax +1 805 648 1729
www.swisson.com
sales-usa@swisson.com